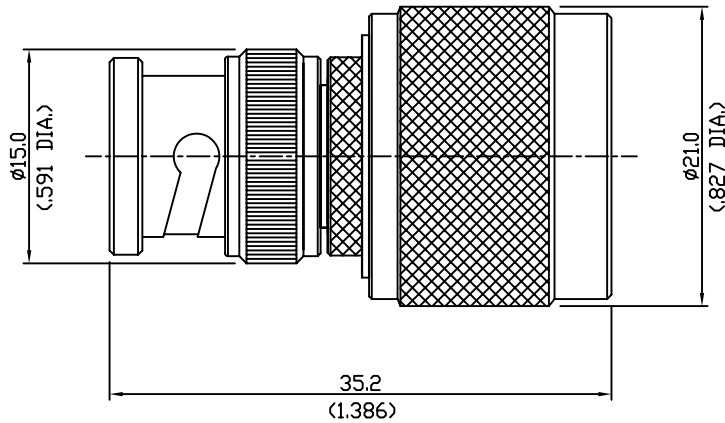


| REVISIONS |             |          |      |
|-----------|-------------|----------|------|
| NO        | DESCRIPTION | APPROVED | DATE |
|           |             |          |      |



\* Description  
 BNC : PLUG  
 N : PLUG

\* Material  
 BNC : Brass/Nickel  
 N : Brass/Nickel

TOL.UNLESS NOTED  
 X =  $\pm 0.1$   
 X.X =  $\pm 0.05$   
 X.XX =  $\pm 0.01$

|             |         |
|-------------|---------|
| DATE        |         |
| DRAWN BY    |         |
| DESIGNED BY |         |
| CHECKED BY  |         |
| APPD.BY     |         |
| SCALE 1 : 1 | UNIT mm |



TITLE  
 BNC to N ADAPTOR

DRAWING NO  
 R410-021-000

SHEET 1 OF 1