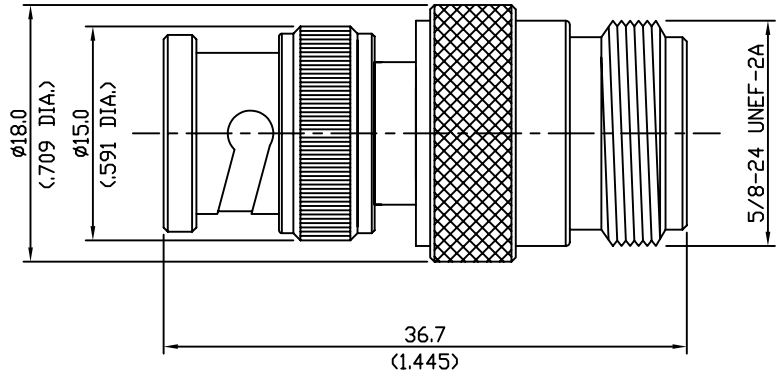



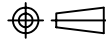
REVISIONS			
NO	DESCRIPTION	APPROVED	DATE



- * Description
 BNC : PLUG
 N : JACK

- * Material
 BNC : Brass/Nickel
 N : Brass/Nickel

TOL.UNLESS NOTED
 X = ±0.1
 X.X = ±0.05
 X.XX = ±0.01

DATE		 RFAC Solutions rfacsolutions.com
DRAWN BY		
DESIGNED BY		TITLE
CHECKED BY		BNC to N ADAPTOR
APPD.BY		DRAWING NO
SCALE 1 : 1	UNIT mm	R410-023-000
		SHEET 1 OF 1