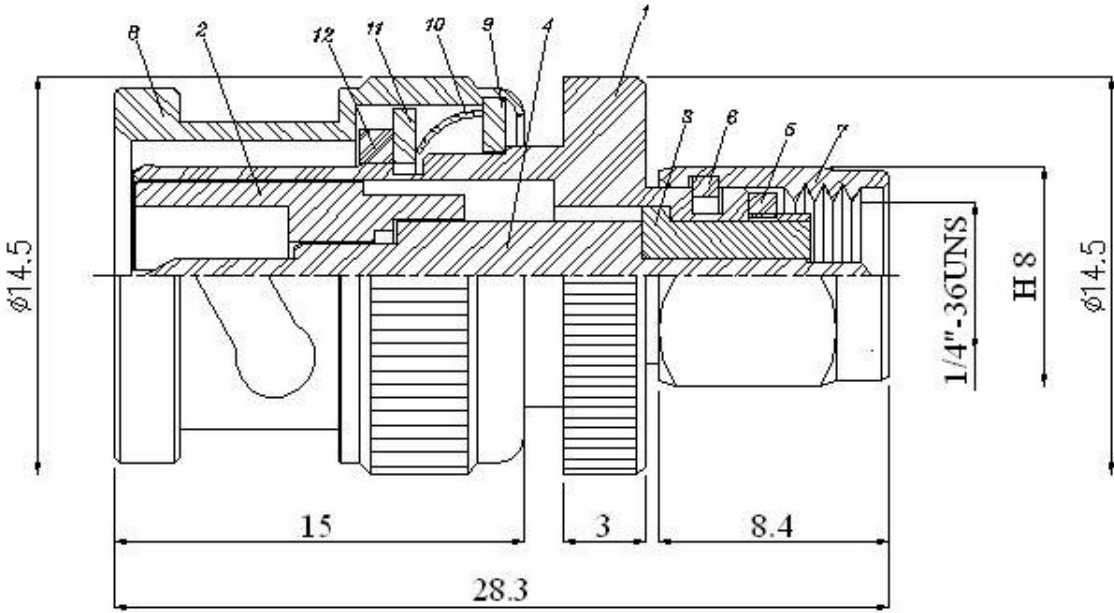



REVISIONS			
NO	DESCRIPTION	APPROVED	DATE



- * Description
SMA : PLUG
BNC : PLUG
- * Material
SMA : Brass/Nickel
BNC : Brass/Nickel

TOL.UNLESS NOTED
 X = ±0.1
 X.X = ±0.05
 X.XX = ±0.01

DATE		 RFAC Solutions	www.rfacsolutions.com
DRAWN BY			TITLE
DESIGNED BY		DRAWING NO	R410-009-000
CHECKED BY		SHEET	1 OF 1
APPD.BY		SCALE	1 : 1
UNIT	mm	