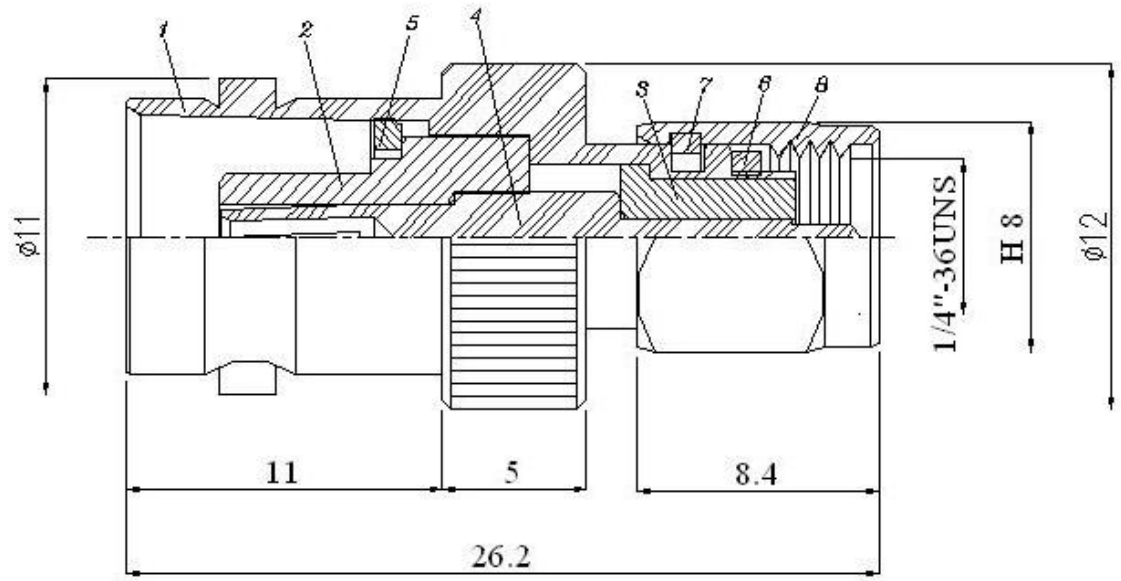

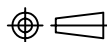


REVISIONS			
NO	DESCRIPTION	APPROVED	DATE



- \* Description  
SMA : PLUG  
BNC : JACK
- \* Material  
SMA : Brass/Nickel  
BNC : Brass/Nickel

TOL.UNLESS NOTED  
 X = ±0.1  
 X.X = ±0.05  
 X.XX = ±0.01

DATE		 <b>RFAC Solutions</b> rfacsolutions.com
DRAWN BY		
DESIGNED BY		TITLE
CHECKED BY		SMA to BNC ADAPTOR
APPD.BY		DRAWING NO
SCALE 1 : 1	UNIT mm	R410-011-000
		SHEET 1 OF 1