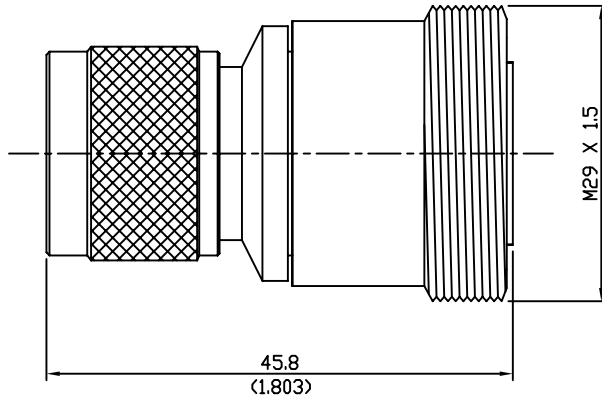


REVISIONS			
NO	DESCRIPTION	APPROVED	DATE



\* Description  
 N : PLUG  
 7/16 DIN : JACK

\* Material  
 N : Brass/SUCO  
 7/16 DIN : Brass/SUCO

TOL.UNLESS NOTED  
 X = ±0.1  
 X.X = ±0.05  
 X.XX = ±0.01

DATE	
DRAWN BY	
DESIGNED BY	
CHECKED BY	
APPD.BY	
SCALE 1 : 1	UNIT mm



TITLE  
 N to 7/16DIN ADAPTOR

DRAWING NO  
 R410-027-000

SHEET 1 OF 1