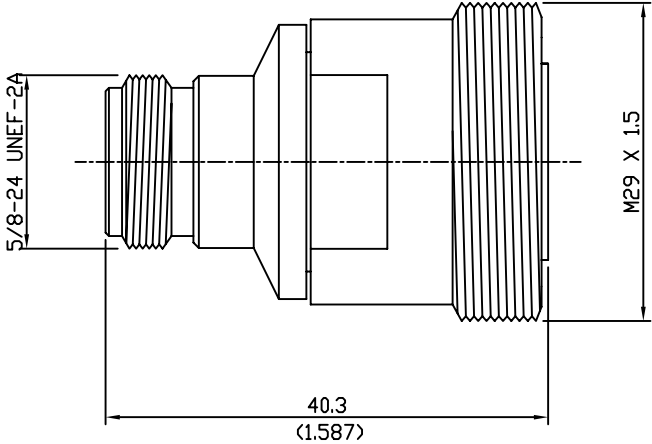



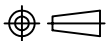
REVISIONS			
NO	DESCRIPTION	APPROVED	DATE



\* Description  
 N : JACK  
 7/16 DIN : JACK

\* Material  
 N : Brass/SUCO  
 7/16 DIN : Brass/SUCO

TOL.UNLESS NOTED  
 X = ±0.1  
 X.X = ±0.05  
 X.XX = ±0.01

DATE		 <b>RFAC Solutions</b> rfacsolutions.com
DRAWN BY		
DESIGNED BY		TITLE
CHECKED BY		N to 7/16DIN ADAPTOR
APPD.BY		DRAWING NO
SCALE 1 : 1	UNIT mm	R410-026-000
		SHEET 1 OF 1