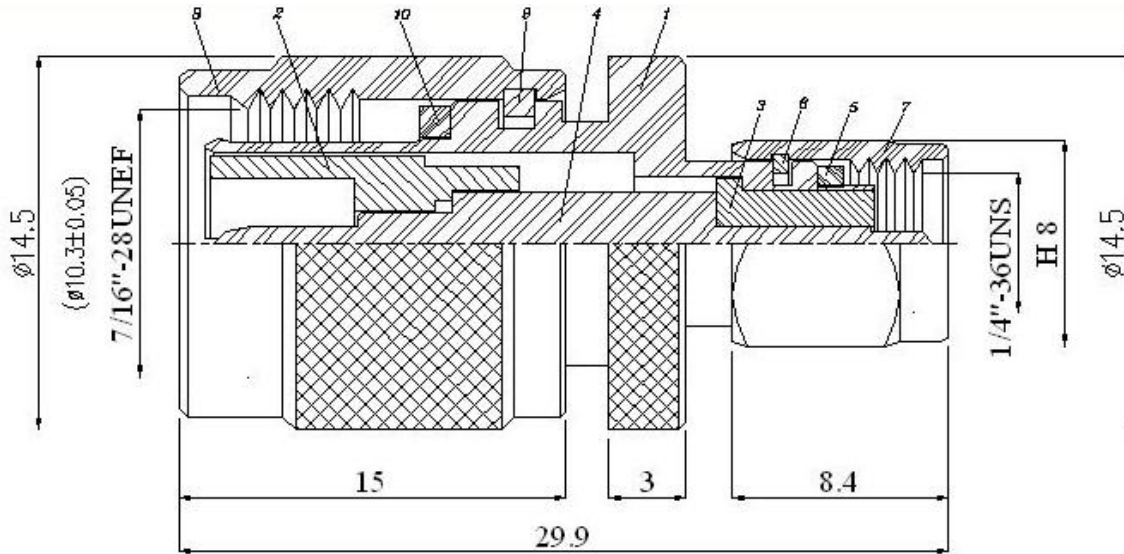



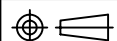
REVISIONS

NO	DESCRIPTION	APPROVED	DATE



- * Description
SMA : PLUG
TNC : PLUG
- * Material
SMA : Brass/Nickel
TNC : Brass/Nickel

TOL. UNLESS NOTED
 X = ±0.1
 X.X = ±0.05
 X.XX = ±0.01

DATE		 RFAC Solutions rfacsolutions.com
DRAWN BY		
DESIGNED BY		TITLE
CHECKED BY		SMA to TNC ADAPTOR
APPD. BY		DRAWING NO
SCALE 1 : 1	UNIT mm	R410-013-000
		SHEET 1 OF 1