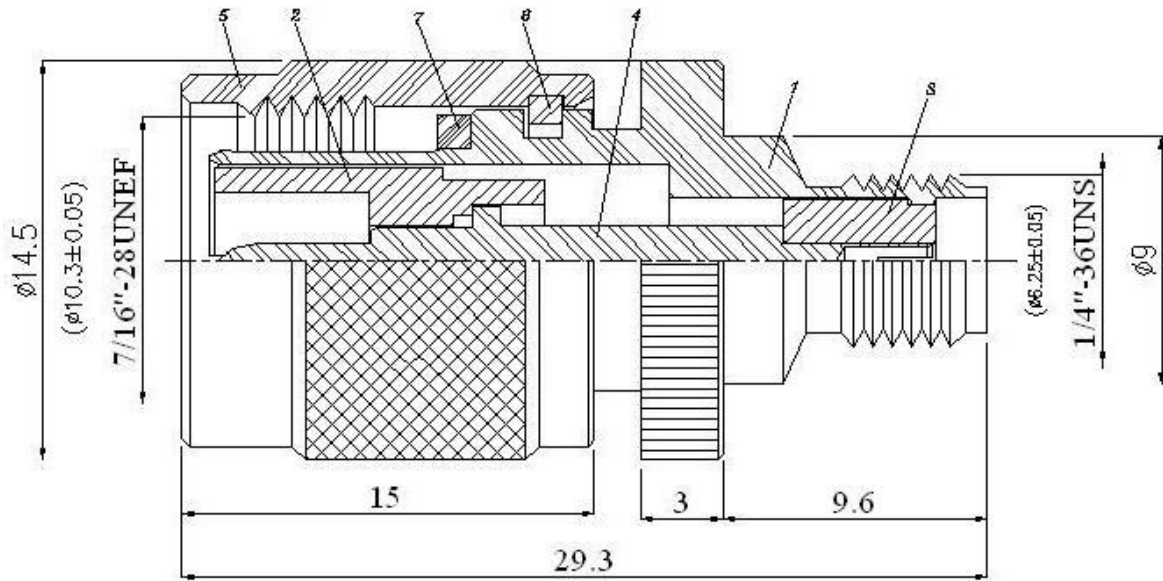



| REVISIONS | | | |
|-----------|-------------|----------|------|
| NO | DESCRIPTION | APPROVED | DATE |
| | | | |



- * Description
SMA : JACK
TNC : PLUG
- * Material
SMA : Brass/Nickel
TNC : Brass/Nickel

TOL. UNLESS NOTED
 X = ±0.1
 X.X = ±0.05
 X.XX = ±0.01

| | |
|-------------|---------|
| DATE | |
| DRAWN BY | |
| DESIGNED BY | |
| CHECKED BY | |
| APPD. BY | |
| SCALE 1 : 1 | UNIT mm |

 **RFAC Solutions** rfacsolutions.com

TITLE
SMA to TNC ADAPTOR

DRAWING NO
R410-016-000

SHEET 1 OF 1