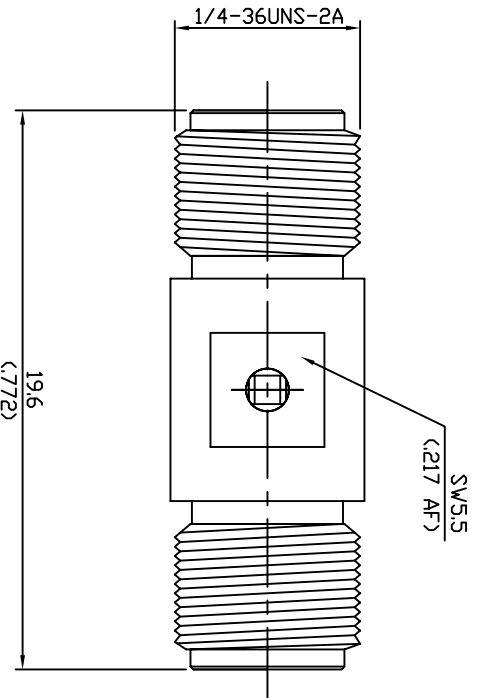


REVISIONS			
NO	DESCRIPTION	APPROVED	DATE



Impedance.....50Ω
 Frequency range.....DC ~ 18GHz
 V.S.W.R.....3GHz : ≤1.03
 6GHz : ≤1.05


Dielectric withstanding
 – Voltage(at sea level).....1000Vrms.50Hz
 – Working voltage(at sea level).....≤325Vrms.50Hz

Insulation resistance.....≥5.10³ MΩ
 Center contact resistance.....≤3MΩ
 Out contact resistance.....≥2MΩ

Temperature range.....-65°C ~ +165°C
 Temperature shock.....MIL-STD202, Method107, ConditionB
 Moisture resistance.....MIL-STD202, Method106
 Corrosion.....Salt spray Test acc. to MIL-STD-202, Method101, ConditionB

Vibration.....MIL-STD202, Method204, ConditionD
 Shock.....MIL-STD202, Method203, ConditionI
 Contact capitation.....≥27N/6.1lbs.
 Durability(Matings).....≥500

Connector parts	Material	Plating
Bodys	Brass	Gold
Center contact	Beryllium-copper	Gold
Insulator	PTFE	White

DATE			
DRAWN BY			
DESIGNED BY		TITLE	
CHECKED BY		SMA STRAIGHT ADAPTOR JACK TO JACK	
APPD. BY		SIZE	DRAWING NO
SCALE 1 : 1	UNIT mm		R330-079
			SHEET 1 OF 1

TOL. UNLESS NOTED
 X = ±0.1
 X.X = ±0.05
 X.XX = ±0.01