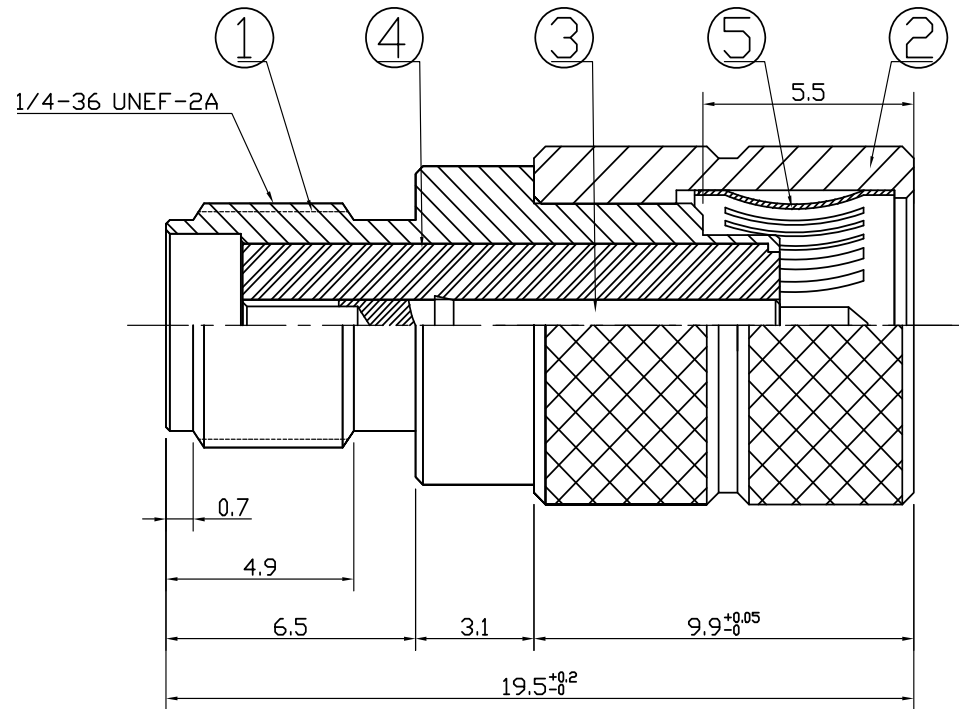



R330-081-002
SMA(F)- SMA(M) PUSH ON ADAPTER



| NO | PART NO | NAME | QTY | MATL | FINISH | REMARK |
|-------------------|------------|-----------|---------------------------------------------------------------------------------------|-------------------------------|--------|--------|
| 5 | SMA57003 | SNAP RING | 1 | BeCu | Au | |
| 4 | AA58010 | INSULATOR | 1 | PTFE | Wh | |
| 3 | AA55409 | PIN | 1 | BeCu | Au | |
| 2 | AA59001-03 | CAP | 1 | MBsBD | Au | |
| 1 | AA50111 | BODY | 1 | MBsBD | Au | |
| DATE | 8.16.2006 | |  | | | |
| SCALE N/S UNIT mm | | | | | | |
| DR | CHK | APP | | | | |
| S.B. LEE | C.L. CHOI | H.S. LEE | DWG NO | R330-081-002 | | |
| | | | DWG NAME | SMA(F)- SMA(M) PUSHON ADAPTER | | |