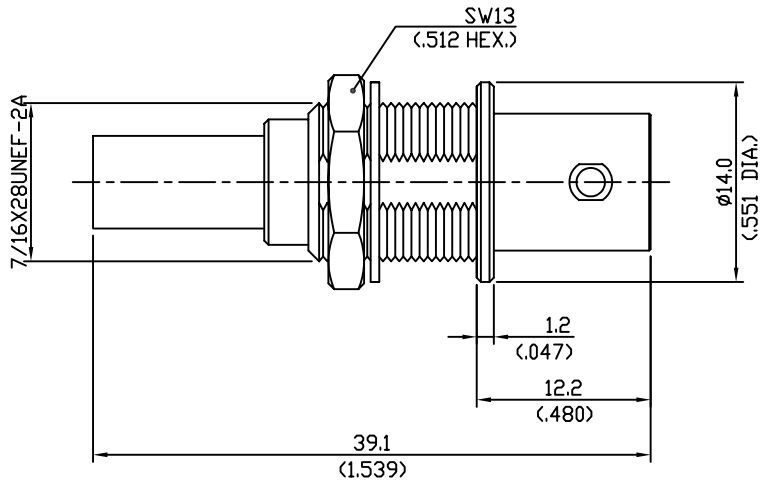


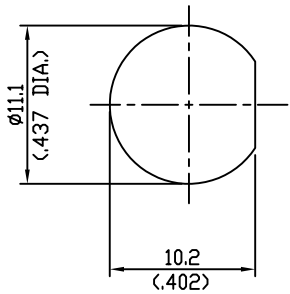
REVISIONS			
NO	DESCRIPTION	APPROVED	DATE



Impedance.....50Ω  
 Frequency range.....DC ~ 4GHz  
 V.S.W.R.....N/A  
 Dielectric withstanding  
 - Voltage(at sea level).....1500Vrms.50Hz  
 - Working voltage(at sea level).....≤500Vrms.50Hz  
 Insulation resistance.....≥5.10<sup>3</sup> MΩ  
 Center contact resistance.....≤1.5MΩ  
 Out contact resistance.....≥1MΩ  
 Temperature range.....-65°C ~ +165°C  
 Temperature shock.....MIL-STD202,Method107,ConditionB  
 Moisture resistance.....MIL-STD202,Method106  
 Corrosion.....Saltspray Test acc.to MIL-STD-202, Method101,ConditionB  
 Vibration.....MIL-STD202,Method204,ConditionB  
 Shock.....MIL-STD202,Method213,ConditionG  
 Contact captivation.....≥27N/6.1lbs.  
 Durability(Matings).....≥500

Connector parts	Material	Plating
Body	Brass	Nickel
Center contact	Beryllium-copper	Gold
Insulator	PTFE	White

Mounting hole



TOL.UNLESS NOTED  
 X = ±0.1  
 X.X = ±0.05  
 X.XX = ±0.01

DATE	
DRAWN BY	
DESIGNED BY	
CHECKED BY	
APPD.BY	
SCALE 1 : 1	UNIT mm

**RFAC Solutions** www.rfacsolutions.com

TITLE **BNC BULKHEAD JACK**  
(RG-400. 142. 223. 58)

DRAWING NO **R360-029-000**

SHEET 1 OF 1