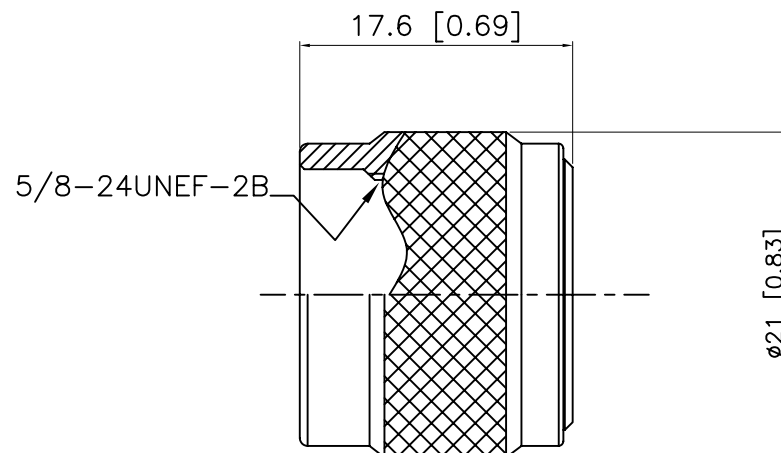


REVISION				
ISSUE	DESCRIPTION	ENGINEER	APPROVED	DATE
1.0	FIRST ISSUED	J. P. LEE	K. D. JANG	2007.10.24



SPECIFICATIONS

- Connector type : Type N
- Materials
 - * Body & Coupling nut: Brass
 - * O-ring : Silicone
- Finish
 - * Body & Coupling nut : Nickel plated

Specified Tolerance				Mat'l				 www.rfacsolutions.com	
.0	±0.1			Finish					Model
.00	±0.05			Design	Check	Appro			
ANG.	±0°30'						Title	Type N MALE DUST CAP	
Scale	Unit	Proj	Size				Mod.No.		
N/A	mm		A4	J. P. LEE	I. K. HAN	K. D. JANG	Part No.	R380-050-C	