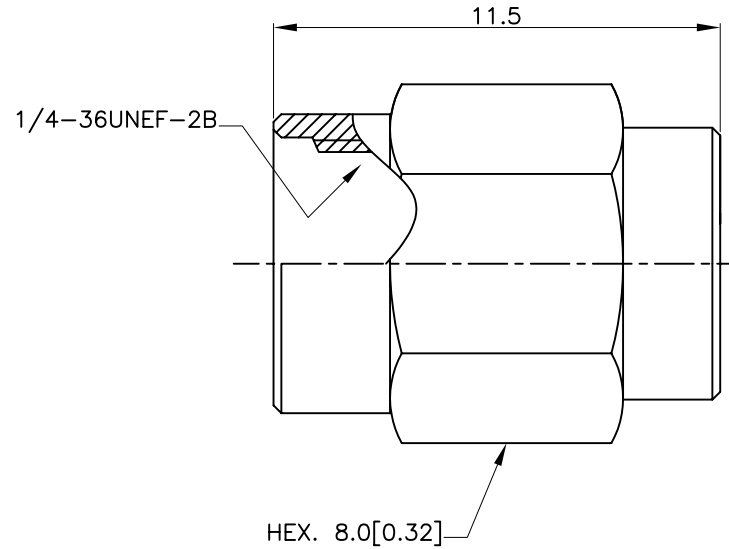


REVISION				
ISSUE	DESCRIPTION	ENGINEER	APPROVED	DATE
1.0	FIRST ISSUED	J. P. LEE	K. D. JANG	2007.10.24



### SPECIFICATIONS

- Connector type : SMA
- Materials
  - \* Body : Brass
  - \* O-ring : Silicone
- Finish
  - \* Body : Nickel plated

Specified Tolerance				Mat'l				 <a href="http://www.rfacsolutions.com">www.rfacsolutions.com</a>
.0	±0.1			Finish				
.00	±0.05	Design	Check	Appro	Model	SMA		
ANG.	±0°30'				Title	SMA MALE DUST CAP		
Scale	Unit	Proj	Size				Mod.No.	
N/A	mm		A4	J. P. LEE	I. K. HAN	K. D. JANG	Part No.	R330-087-C