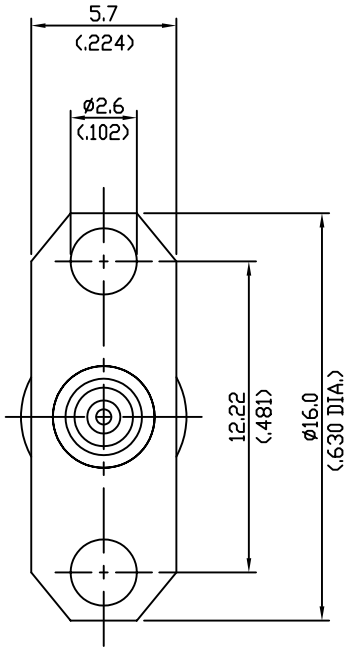
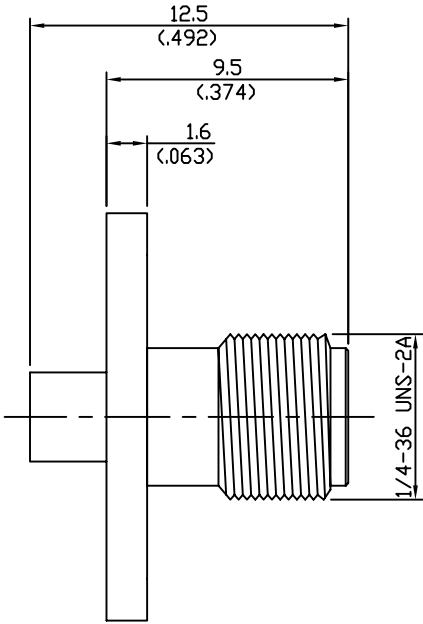


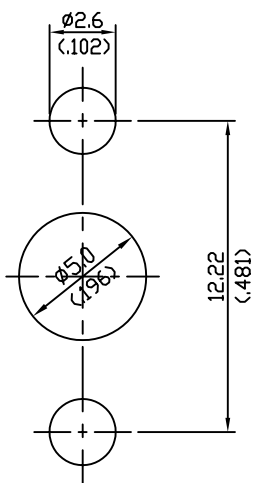
REVISIONS			
NO	DESCRIPTION	APPROVED	DATE



Impedance.....50Ω  
 Frequency range.....DC ~ 18GHz  
 V.S.W.R.....N/A  
 Dielectric withstanding  
   - Voltage(at sea level).....1000Vrms.50Hz  
   - Working voltage(at sea level).....≤325Vrms.50Hz  
 Insulation resistance.....≥5.10<sup>3</sup> MΩ  
 Center contact resistance.....≤3MΩ  
 Out contact resistance.....≥2MΩ  
 Temperature range.....-65°C ~ +165°C  
 Temperature shock.....MIL-STD202,Method107,ConditionB  
 Moisture resistance.....MIL-STD202,Method106  
 Corrosion.....Saltspray Test acc.to MIL-STD-202, Method101,ConditionB  
 Vibration.....MIL-STD202,Method204,ConditionD  
 Shock.....MIL-STD202,Method203,ConditionI  
 Contact captivation.....≥27N/6.1lbs.  
 Durability(Matings).....≥500


Connector parts	Material	Plating
Bodys	Brass	Gold
Cente contact	Beryllium-copper	Gold
Insulator	PTFE	White

Mounting hole



TOL.UNLESS NOTED  
 X = ±0.1  
 X.X = ±0.05  
 X.XX = ±0.01

DATE	
DRAWN BY	
DESIGNED BY	
CHECKED BY	
APPD.BY	
SCALE 1 : 1	UNIT mm


**RFAC Solutions** www.rfacsolutions.com  
 TITLE SMA PANEL JACK  
 .085"(RG-405,M17/133) Fig2  
 DRAWING NO R330-022-000  
 SHEET 1 OF 1