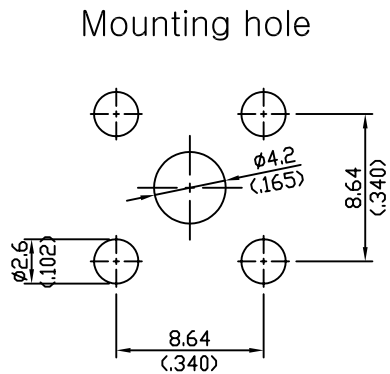
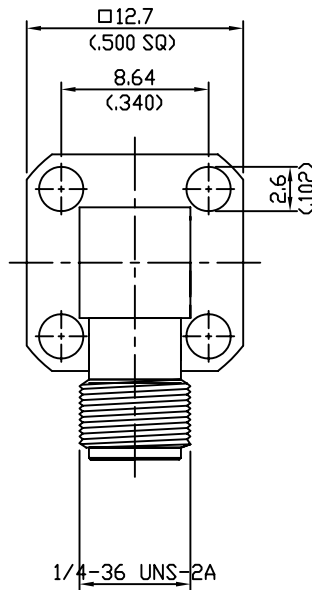
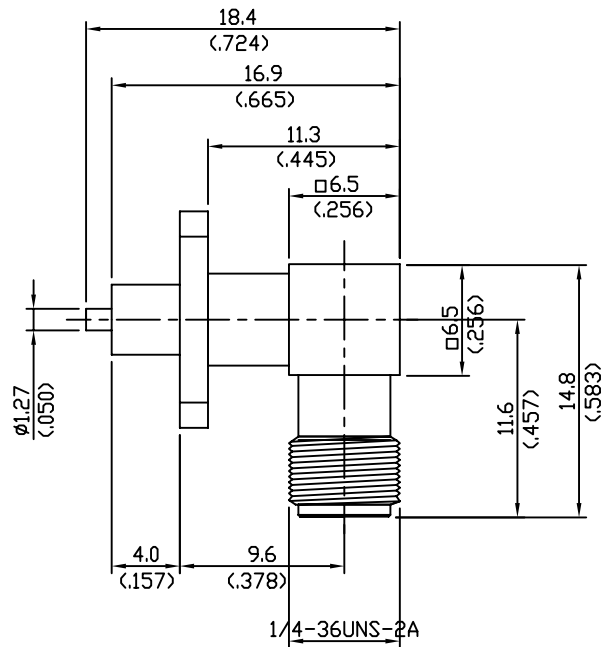


REVISIONS			
NO	DESCRIPTION	APPROVED	DATE



- Impedance.....50Ω
- Frequency range.....DC ~ 18GHz
- V.S.W.R.....N/A
- Dielectric withstanding
  - Voltage(at sea level).....1000Vrms.50Hz
  - Working voltage(at sea level).....≤325Vrms.50Hz
- Insulation resistance.....≥5.10<sup>3</sup> MΩ
- Center contact resistance.....≤3MΩ
- Out contact resistance.....≥2MΩ
- Temperature range.....-65°C ~ +165°C
- Temperature shock.....MIL-STD202,Method107,ConditionB
- Moisture resistance.....MIL-STD202,Method106
- Corrosion.....Saltspray Test acc.to MIL-STD-202, Method101,ConditionB
- Vibration.....MIL-STD202,Method204,ConditionD
- Shock.....MIL-STD202,Method203,ConditionI
- Couling nut torque
  - Recommended torque....1.0Nm/8.9in.-lbs
  - Couling prddf torque.....1.7Nm/15.0in.-lbs
- Coupling retention force.....≤270N/60.7lbs.
- Contact captivation.....≥27N/6.1lbs.
- Durability(Matings).....≥500

Connector parts	Material	Plating
Bodys	Brass	Gold
Center contact	Beryllium-copper	Gold
Insulator	PTFE	White

TOL.UNLESS NOTED  
 X = ±0.1  
 X.X = ±0.05  
 X.XX = ±0.01

DATE	
DRAWN BY	
DESIGNED BY	
CHECKED BY	
APPD.BY	
SCALE 1 : 1	UNIT mm



TITLE	SMA RIGHT ANGLE PANEL JACK
DRAWING NO	R330-068-000
SHEET	1 OF 1