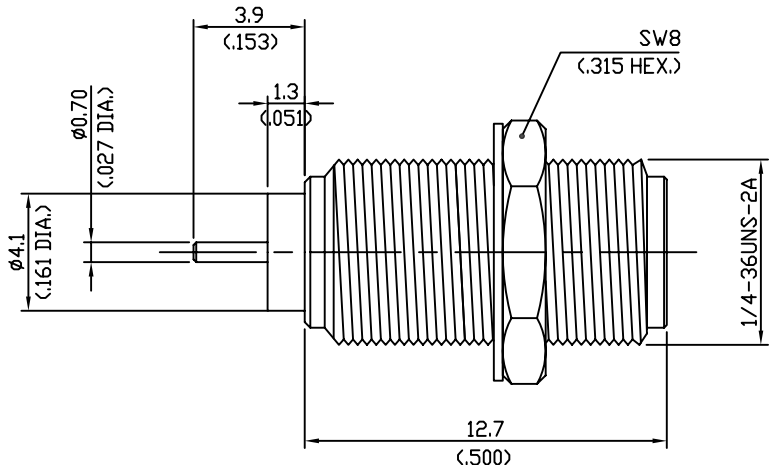


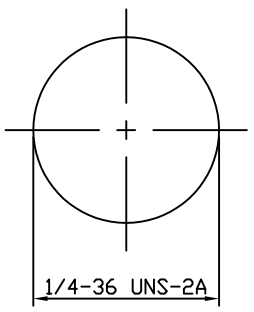
REVISIONS			
NO	DESCRIPTION	APPROVED	DATE



Impedance.....50Ω
 Frequency range.....DC ~ 18GHz
 V.S.W.R.....N/A
 Dielectric withstanding
 - Voltage(at sea level).....1000Vrms.50Hz
 - Working voltage(at sea level)..... ≤325Vrms.50Hz
 Insulation resistance.....≥5.10³ MΩ
 Center contact resistance.....≤3MΩ
 Out contact resistance.....≥2MΩ
 Temperature range.....-65°C ~ +165°C
 Temperature shock.....MIL-STD202,Method107,ConditionB
 Moisture resistance.....MIL-STD202,Method106
 Corrosion.....Saltspray Test acc.to MIL-STD-202, Method101,ConditionB
 Vibration.....MIL-STD202,Method204,ConditionD
 Shock.....MIL-STD202,Method203,ConditionI
 Contact captivation.....≥27N/6.1lbs.
 Durability(Matings).....≥500


Connector parts	Material	Plating
Bodys	Brass	Gold
Center contact	Beryllium-copper	Gold
Insulator	PTFE	White

Mounting hole



TOL.UNLESS NOTED
 X = ±0.1
 X.X = ±0.05
 X.XX = ±0.01

DATE	
DRAWN BY	
DESIGNED BY	
CHECKED BY	
APPD.BY	
SCALE 1 : 1	UNIT mm


www.rfacsolutions.com

TITLE SMA STRAIGHT BULKHEAD JACK

DRAWING NO R330-069-000

SHEET 1 OF 1