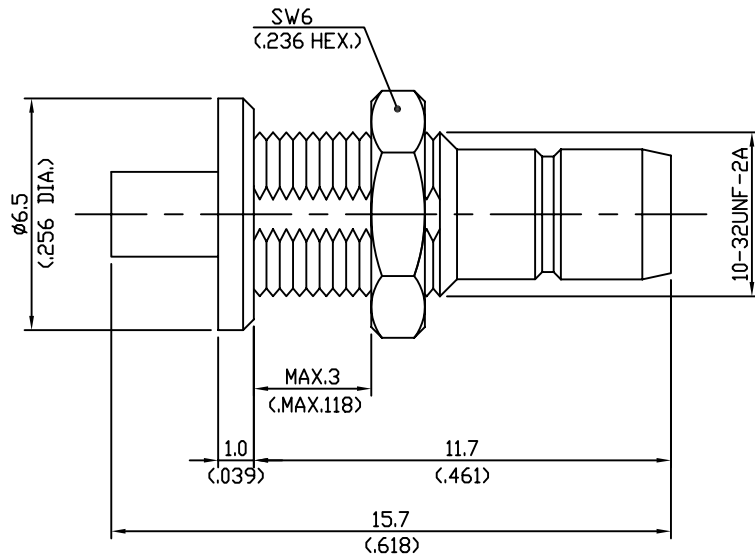
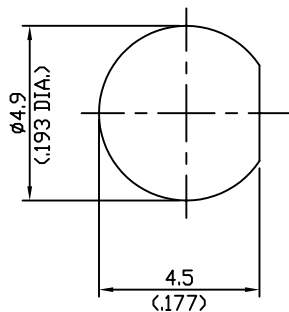


REVISIONS

NO	DESCRIPTION	APPROVED	DATE



Mounting hole



TOL. UNLESS NOTED
 X = ±0.1
 X.X = ±0.05
 X.XX = ±0.01

- Impedance.....50Ω
- Frequency range.....DC ~ 4GHz
- V.S.W.R.....N/A
- Dielectric withstanding
 - Voltage(at sea level).....750Vrms.50Hz
 - Working voltage(at sea level).....≤250Vrms.50Hz
- Insulation resistance.....≥10⁴ MΩ
- Center contact resistance.....≤6MΩ
- Out contact resistance.....≥1MΩ
- Temperature range.....-65°C ~ +165°C
- Temperature shock.....MIL-STD202,Method107,ConditionC
- Moisture resistance.....MIL-STD202,Method106
- Corrosion.....Saltspray Test acc.to MIL-STD-202, Method101,ConditionB
- Vibration.....MIL-STD202,Method204,ConditionD
- Engagementforce.....8N-63N/1.8lbs.-14.2lbs.
- Diengagementforce.....8N-63N/1.8lbs.-14.2lbs.
- Contact captivation.....≥18N/4.0lbs.
- Durability(Matings).....≥500

Connector parts	Material	Plating
Bodys	Brass	Gold
Center contact	Brass	Gold
Insulator	PTFE	White

DATE	
DRAWN BY	
DESIGNED BY	
CHECKED BY	
APPD. BY	
SCALE 1 : 1	UNIT mm



TITLE SMB BULKHEAD JACK
 .085"(RG-405, M17/133)

DRAWING NO R340-004-000

SHEET 1 OF 1