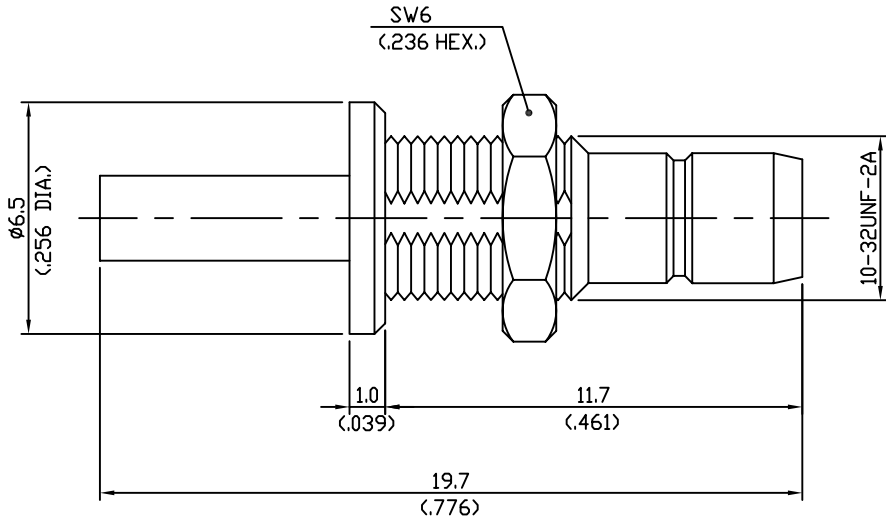
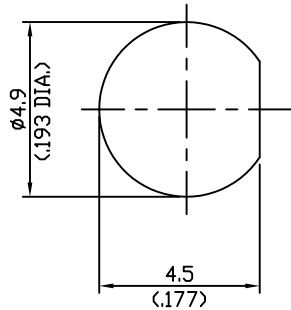


| REVISIONS | | | |
|-----------|-------------|----------|------|
| NO | DESCRIPTION | APPROVED | DATE |
| | | | |




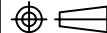
Mounting hole



TOL.UNLESS NOTED
 X = ±0.1
 X.X = ±0.05
 X.XX = ±0.01

Impedance.....50Ω
 Frequency range.....DC ~ 4GHz
 V.S.W.R.....N/A
 Dielectric withstanding
 - Voltage(at sea level).....750Vrms.50Hz
 - Working voltage(at sea level).....≤250Vrms.50Hz
 Insulation resistance.....≥10⁴ MΩ
 Center contact resistance.....≤6MΩ
 Out contact resistance.....≥1MΩ
 Temperature range.....-65°C ~ +165°C
 Temperature shock.....MIL-STD202,Method107,ConditionC
 Moisture resistance.....MIL-STD202,Method106
 Corrosion.....Saltspray Test acc.to MIL-STD-202,
 Method101,ConditionB
 Vibration.....MIL-STD202,Method204,ConditionD
 Engagementforce.....8N-63N/1.8lbs.-14.2lbs.
 Diengagementforce.....8N-63N/1.8lbs.-14.2lbs.
 Contact captivation.....≥18N/4.0lbs.
 Durability(Matings).....≥500

| Connector parts | Material | Plating |
|-----------------|----------|---------|
| Bodys | Brass | Gold |
| Center contact | Brass | Gold |
| Insulator | PTFE | White |
| Ferrule | Brass | Gold |

| | | |
|---|---------|---|
| DATE | |  RFAC Solutions rfacsolutions.com |
| DRAWN BY | | |
| DESIGNED BY | | TITLE |
| CHECKED BY | | SMB BULKHEAD JACK (RG-178. 196) |
| APPD.BY | | DRAWING NO |
| SCALE 1 : 1 | UNIT mm | R340-014-000 |
|  | | SHEET 1 OF 1 |