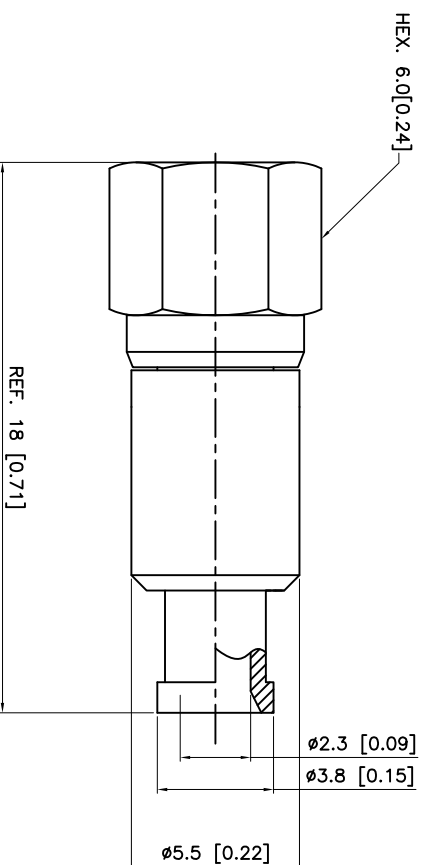




| | | REVISION | | |
|-------|--------------|-----------|------------|------------|
| ISSUE | DESCRIPTION | ENGINEER | APPROVED | DATE |
| 1.0 | FIRST ISSUED | J. P. LEE | K. D. JANG | 2004.09.13 |

SPECIFICATIONS

1. Electrical
 - Impedance : 50ohm
 - Frequency range : 3GHz
 - V.S.W.R. : 1.2 Max.
2. Mechanical
 - Materials
 - * Body : Brass
 - * Center Contact : Beryllium copper
 - * Insulator : PTFE Teflon
 - Finish
 - * Body : Gold plate
 - * Center Contact : Gold plate
3. Environmental
 - Temperature range : -65°C~+165°C
 - All materials are complied with RoHS.



| Specified | Tolerance | Mat'l | | | | |  www.rfacsolutions.com | |
|-----------|-----------|---|------|-----------|-----------|------------|--|--------------------------|
| .0 | ±0.1 | Finish | | | | | Model | SMC |
| .00 | ±0.05 | Design | | | | | Title | STRAIGHT PLUG FOR SR-085 |
| ANG. | ±0°30' | Check | | | | | Mod.No. | SMC-FE-ST-085 |
| Scale | Unit | Proj | Size | | | | Part No. | S540-002 |
| N/A | mm |  | A4 | J. P. LEE | I. K. HAN | K. D. JANG | | |