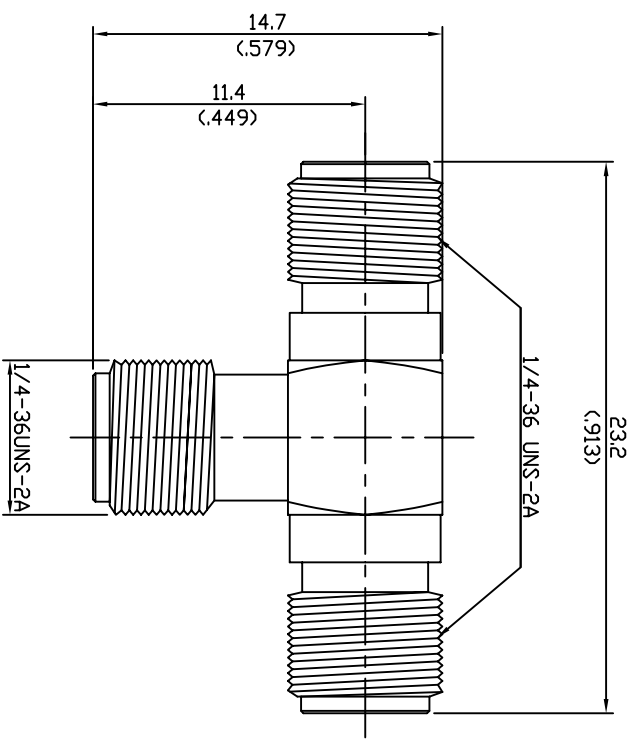


REVISIONS			
NO	DESCRIPTION	APPROVED	DATE



50Ω nominal impedance. These connectors are non-matched 3 dB dividers for LF applications. VSWR ≥ 2.0 when terminated with 50Ω.

TOL. UNLESS NOTED
 X = ±0.1
 X.X = ±0.05
 X.XX = ±0.01

Impedance.....	50 Ω
Dielectric withstanding	
- Voltage(at sea level).....	1000Vrms.50Hz
- Working voltage(at sea level).....	≤325Vrms.50Hz
Insulation resistance.....	≥5.10 MΩ
Center contact resistance.....	≤3MΩ
Out contact resistance.....	≥2MΩ 3
Temperature range.....	-65°C ~ +165°C
Temperature shock.....	MIL-STD202,Method107, ConditionB
Moisture resistance.....	MIL-STD202,Method106
Corrosion.....	Saltspray Test acc. to MIL-STD-202, Method101, ConditionB
Vibration.....	MIL-STD202, Method204, ConditionD
Shock.....	MIL-STD202, Method203, ConditionI
Contact capitivity.....	≥27N/6.1lbs.
Durability(Matings).....	≥500

Connector parts	Material	Plating
Bodys	Brass	Gold
Center contact	Beryllium-copper	Gold
Insulator	PTFE	White

DATE			
DRAWN BY			
DESIGNED BY			
CHECKED BY			
APPD.BY			
SCALE 1 : 1	UNIT mm		
TITLE			
SIZE	DRAWING NO		
	R330-085		
SHEET 1 OF 1			



SMA T-ADAPTOR
 JACK-JACK-JACK

